



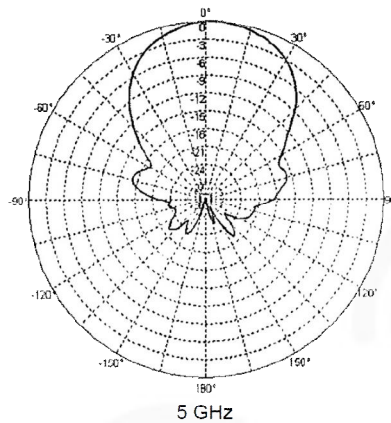
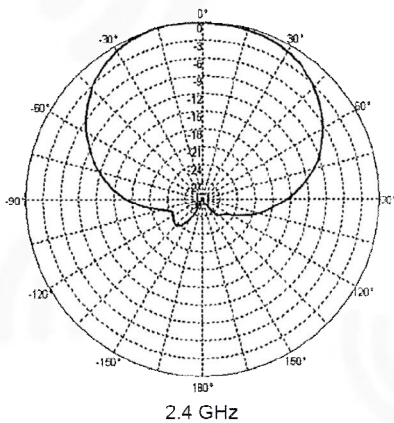
“Performance Matters”

EU2/3x5

TerraWave’s 2.4/5 GHz dBi quad patch multiple-input and multiple-output (MIMO) antenna is designed to be operated with any manufacturer’s enterprise-class 802.11n MIMO access points. The antenna comes with four RPTNC Plug connectors and 36” cables. With dual-band leads, each cable supports both 2.4 and 5 GHz, making it an ideal and aesthetically pleasing antenna to support demanding outdoor applications in next generation IEEE 802.11n wireless communication systems. The antenna radome is designed to withstand challenging environments where there is exposure to moisture and dust and comes with an articulating mount.

Specifications	
Model	EU2/3x5
Frequency Range	2400~2500 / 5150~5850 MHz
Gain	6 dBi
Vertical Beamwidth	80°±20° / 45°±20°
Horizontal Beamwidth	80°±20° / 45°±20°
VSWR	≤2.0 / ≤2.5
Front-to-Back Ratio	≥18
Polarization	Vertical
Max Power	100W
Connector	RPTNC Plug
Pigtail Length	36" (w/ connector)
Dimensions	9.2" x 9.0" x 1.1"
Weight	2.65 lbs
Operating Temperature Range	-40°F to +140°F
Rated Wind Velocity	134.2 mph
Mount Style	Wall or Mast/Pole

Highly cost effective
Class leading performance
Articulating Bracket
Included

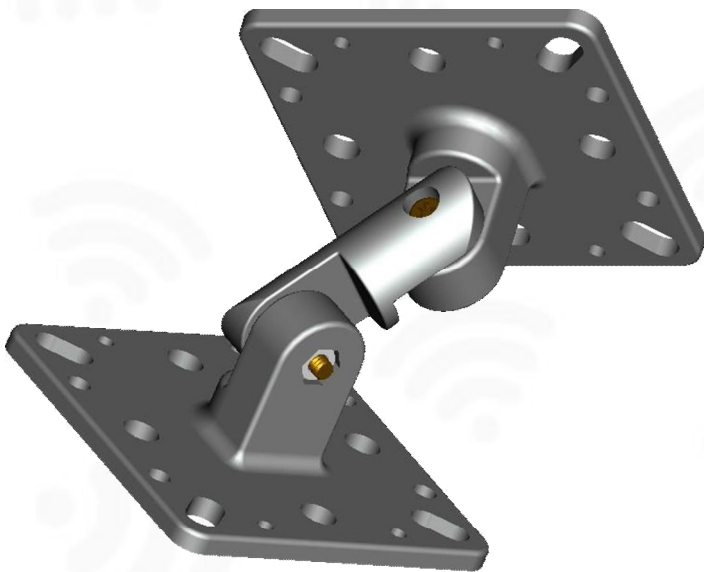
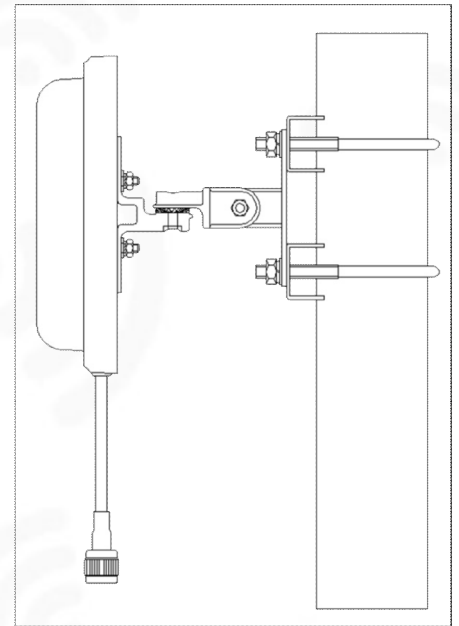


Mounting EU2/3x5

Mast Mount with Articulating Bracket:

1. Place the Bracket on the back of the panel antenna. Attach the antenna to the mast.
2. Use the client to test and adjust the signal strength (RSSI) and adjust the azimuth and elevation to maximise the RSSI. Tighten each nut and seal the connector.

Note: Articulating Mount can also be Wall Mounted



Wall Mount With Screws

